

# Comet BV Series



Comet BV Series are BSPT-threaded ball valves that are suitable for LPG & Natural Gas pipeline installations.

## TECHNICAL SPECIFICATIONS

- » Female-female threads
- » Steel-forged brass body
- » BSPT thread
- » Full-port bore 2-piece ball valve
- » Chrome-plated bore
- » Blowout-proof design
- » 600 WOG nominal pressure

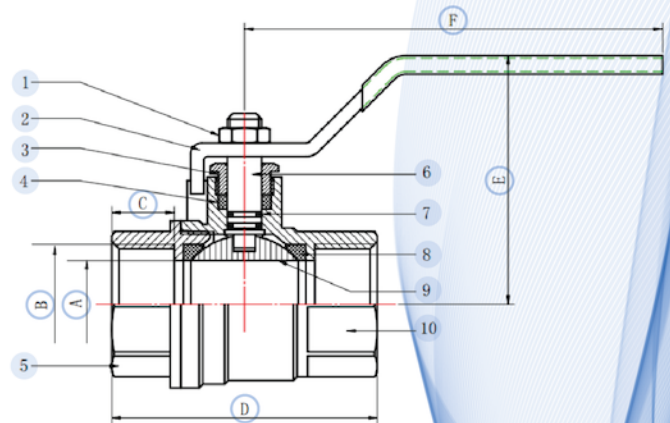


## DIMENSIONS

Size	A	B	C	D	E	F	Weight (g)
¼"	10	¼" BSPT	12.5	46	48	90	165
½"	15	½" BSPT	12.5	54	51	90	220
¾"	20	¾" BSPT	17	64	55	100	305
1"	24	1" BSPT	19	76	66	118	520
1 ¼"	32	1 ¼" BSPT	23	95	76	118	820
1 ½"	40	1 ½" BSPT	23	102	88	140	1150
2"	50	2" BSPT	26	121	98	140	1900

## MATERIALS

Accessory Name	Material
1 Handle nut	Zinc plate steel
2 Handle nut	Zinc plate steel with vinyl sleeve
3 Threaded pack gland	Brass
4 Packing	PTFE
5 Body end piece	Brass
6 Stem	Brass
7 O-ring	NBR
8 Seat	PTFE
9 Ball	Chrome-plated brass
10 Body	Brass



Approved by:



UL 125

Certified by:



Suruhanjaya Tenaga  
Energy Commission