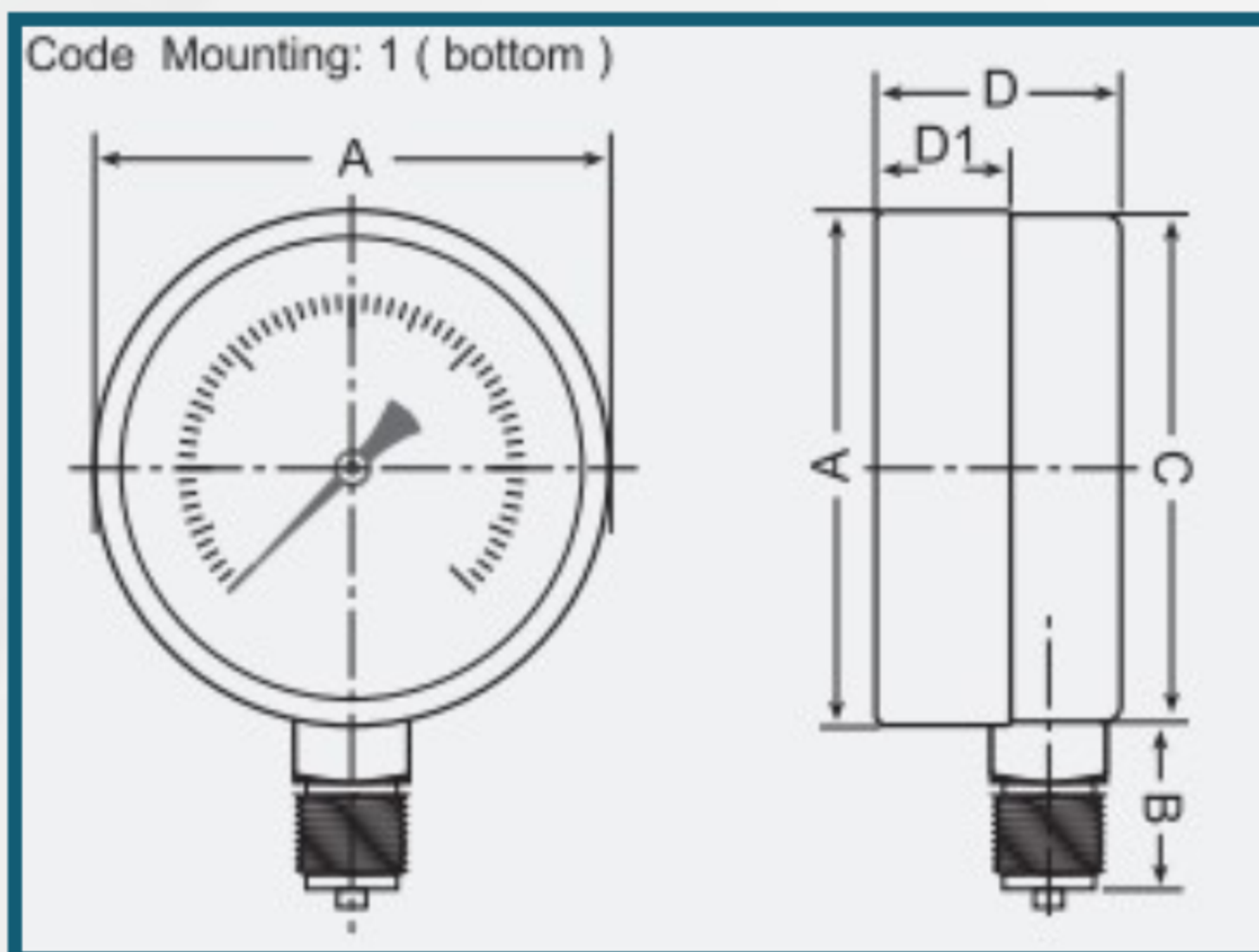


# COMET HIGH PRESSURE GAUGE



The Comet High Pressure Gauge is suitable for LPG and NG applications. It is commonly installed in the pipeline.

Dimensions (mm)



| Dial Size | A  | B  | C  | D  | D1 |
|-----------|----|----|----|----|----|
| 2 1/2"    | 64 | 20 | 62 | 28 | 10 |

Bottom Connection: 1/4"

Dial Size: 2 1/2"

Casing: Black Steel

Connection Material: Brass

IP Rating: IP32

Pressure Available

- 0 - 15 psi
- 0 - 30 psi
- 0 - 60 psi
- 0 - 150 psi
- 0 - 200 psi
- 0 - 300 psi

Approved By: