

# COMET LOW PRESSURE GAUGE



0 - 100 MBAR

Bottom Connection: 1/4"

Dial Size: 2 1/2"

Casing: Black Steel

Connection Material: Brass

IP Rating: IP32



0 - 400 MBAR

Bottom Connection: 1/4"

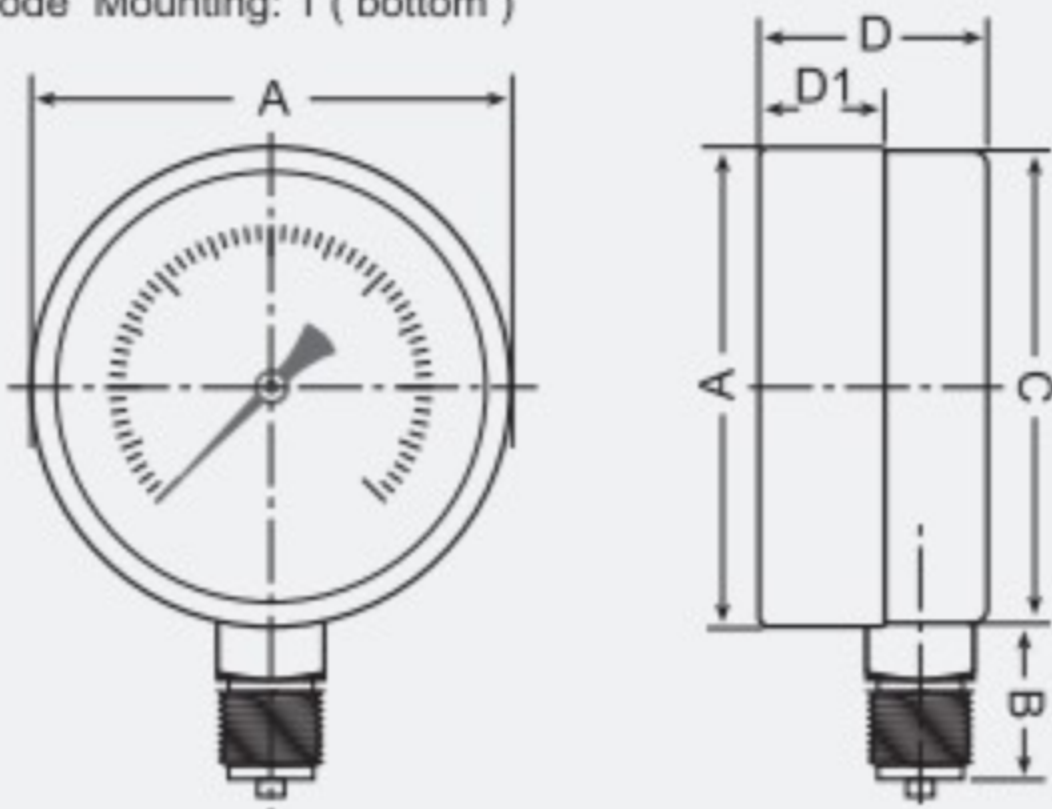
Dial Size: 2 1/2"

Casing: Black Steel

Connection Material: Brass

IP Rating: IP32

Code Mounting: 1 (bottom)



Dimensions (mm)

Dial Size	A	B	C	D	D1
2 1/2"	64	20	62	28	10

Applications

Suitable for non corrosive gases in industrial and commercial settings



Contact Us:

012 410 3287 , +03 5525 8287

[www.comet-integrated.com](http://www.comet-integrated.com)

