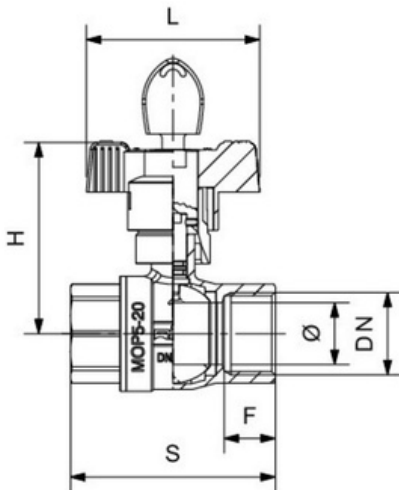




## RIV 7514

- Ball valve F/F full bore
- tamperproof key locking
- device aluminium butterfly handle

### » Tech drawings and tables



DN	Codice	Ø	H	S	L	F	PN	KG	P/box
1/2"	077514000004	15	74	59	70	17	5	0,351	5
3/4"	077514000005	20	80	69	70	18	5	0,467	5
1"	077514000007	25	83	83	70	22	5	0,613	5

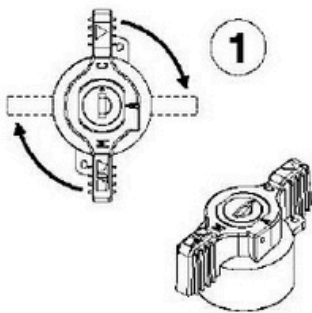
## » Advantages

### >> OPERATION INSTRUCTIONS

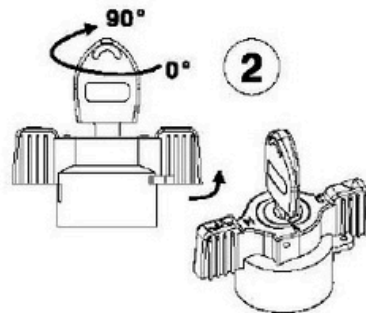


The "LOCK GAS" system, exclusive patent of RIV SpA, can be started through the master key, available on request, when it is necessary not to allow the user to open again the valve with his key.

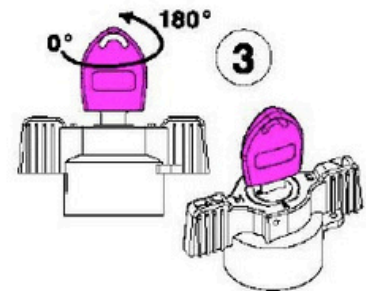
For a correct use of the "LOCK GAS" system and for the normal working of the valve through the key, please read carefully the following instructions.



To lock the valve, turn clockwise the butterfly handle up to the click.



To unlock the valve, put the key and turn it 90° clockwise (Pos A). In this way the locking device is unblocked. Then turn the butterfly handle 90° anticlockwise.



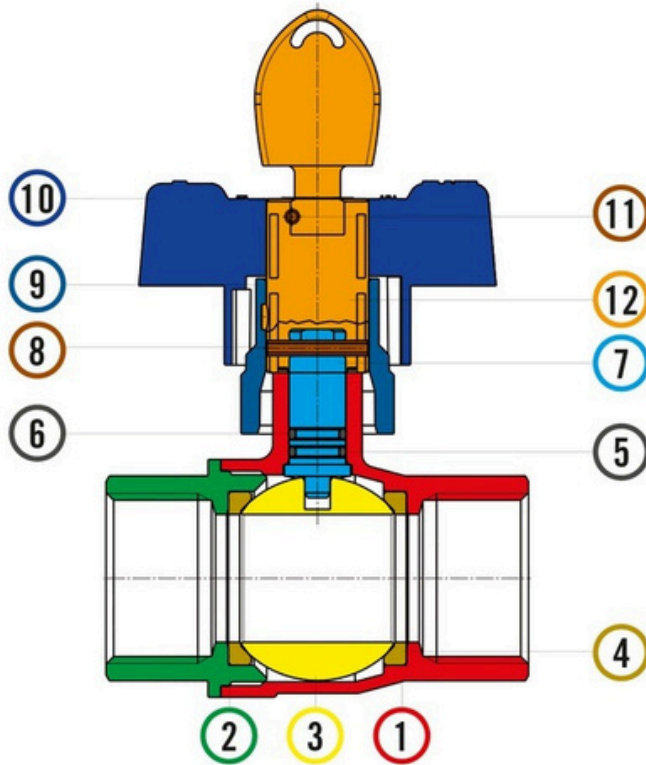
To start the "LOCK GAS" tamperproof locking system, lock the valve (picture 1), put the MASTER KEY and turn it 180° anticlockwise (Pos M). By turning the MASTER KEY 180° clockwise, you deactivate the system (Pos C).

## » Approvals



## » Technical data

### RIV 7514



Materials				
1	Body	Brass	CW617N	Nickel-plated
2	Body end	Brass	CW617N	Nickel-plated
3	Ball	Brass	CW617N	Chrome-plated
4	Seats	P.T.F.E.		
5	O-Ring	FKM		
6	O-Ring	NBR		
7	Stem	Brass	CW614N	
8	Elastic pin	Steel		
9	Screwed ring	Zinc alloy		Zinc-plated
10	Butterfly handle	Aluminium		
11	Elastic pin	Steel		
12	Locking device	Zinc alloy		Zinc-plated

#### Connection

F: EN 10226 Rp (parallel)  
M: EN 10226 R (taper)

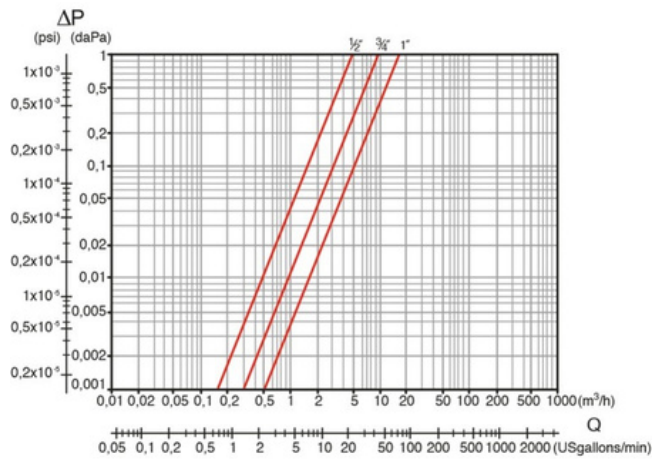
#### Limit

-20°C (without liquid) +60°C

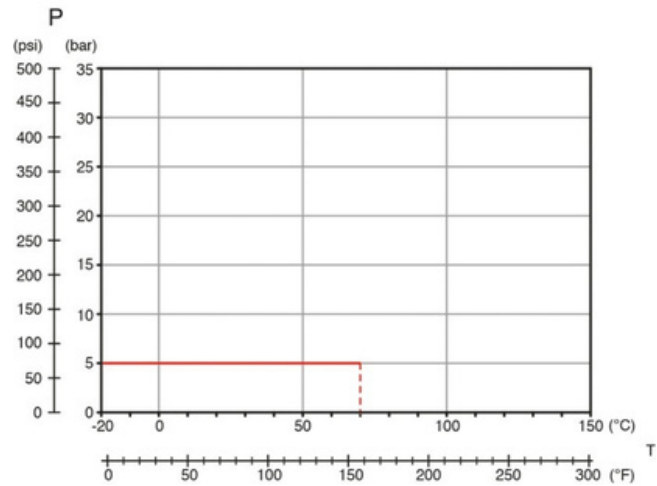
#### Notes

The max.working pressure (PN) means at a room temperature of about 23°C.

## » Pressure Loss Chart



## » Temperature/Pressure



## » Kv & Cv Coefficients

Dimensione	Kv	Cv
1/2"	15,8	-
3/4"	29,0	-
1"	50,0	-



Rubinetterie Italiane Velatta SpA  
since 1950

# LOCKABLE BALL VALVE

## » More Products



### RIV 7510

Ball valve F/F  
full bore  
tamperproof key locking device  
aluminium lever handle



### RIV 7524

Ball valve M/F  
full bore  
tamperproof key locking device  
aluminium butterfly handle



### RIV 7534

Ball valve F/F with fitting for gas meter  
full bore  
tamperproof key locking device  
aluminium butterfly handle



### RIV 7544

Ball valve M/F with fitting for gas meter  
full bore  
tamperproof key locking device  
aluminium butterfly handle

