

1700 SERIES MAGNETIC SNAP-ON CONTACT PRESSURE GAUGE MODEL:1700



Applications:

1700 series magnetic snap-on contact gauge is designed for automatic control and signals transfer. When the pressure gets to the set value, the contact opens/closes the circuits. It has a magnetic electric contact.

Specifications:

Nominal sizes:

2.5", 4", 6"

Connection:

BSP 1/4" for 2.5"

BSP 1/2" for 4", 6"

Protection class: IP 54

Scale Range, according to EN 837-1/5

Pressure ranges: 0 to 0.6/1/1.6/2.5/4/6/10/16/25/40/60/100/160/250/400bar

Vacuum range: -1 to 0 bar

Compound pressure: -1 to 0.6/1.5/3/5/9/15/24 bar

Operating Temperature:

Ambient: -20°C to 60°C, medium: 60°C maximum

Material Specification:

Case : black steel case and bezel

Window: high polycarbonate

Wetted parts: brass bourdon tube and connection

Movement: brass

Contacts: Two contacts, one contact, Often open, often close

Maximum working voltage: AC380V or DC220V

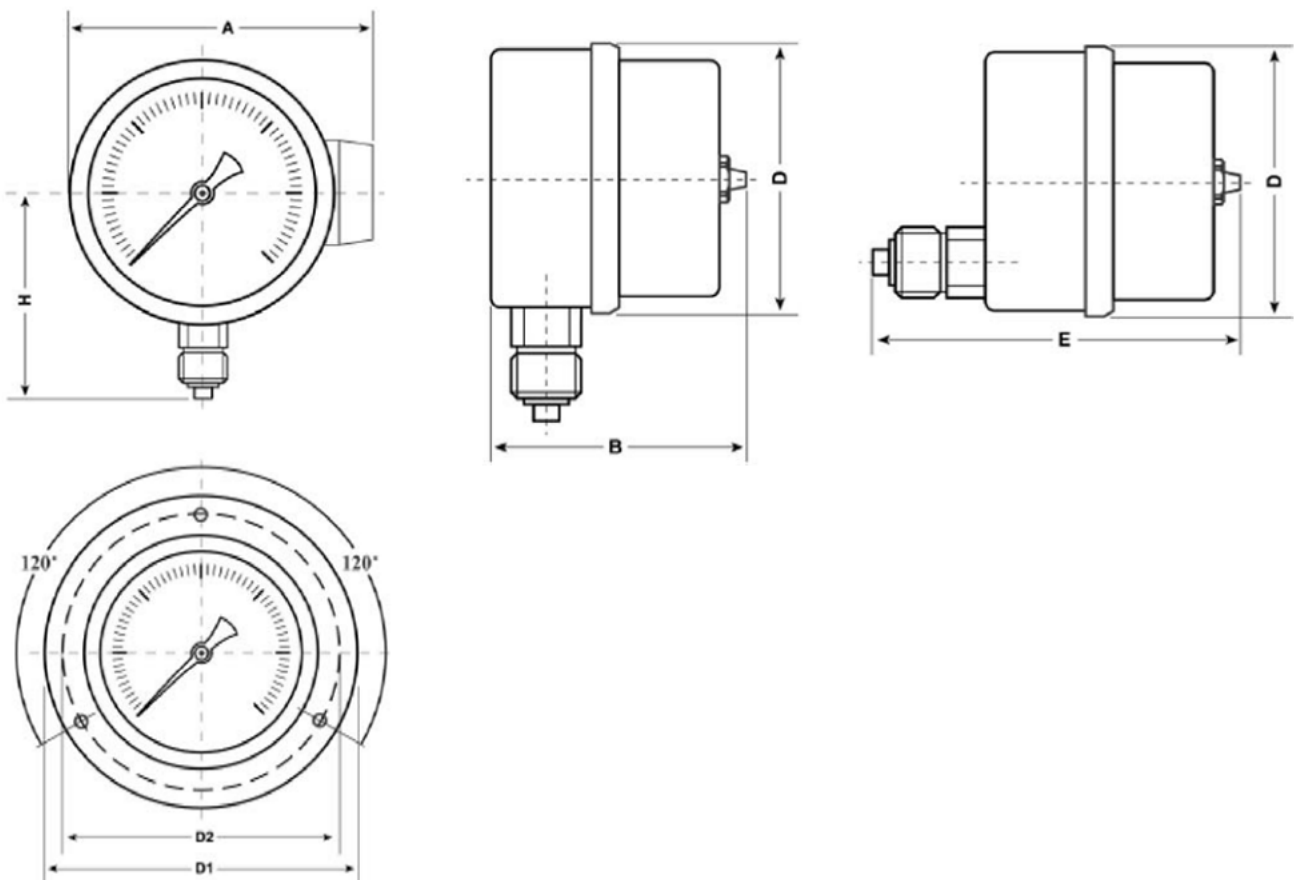
Maximum current: 1A

Contact Power: 30VA

Options:

NPT, BSPT or other process connection

Non-standard dial range



DIAL SIZE	A	B	D	H	D1	D2	E
2.5"	75	55	60	55	--	--	--
4"	122	88	102	92	Ø130	Ø116	135
6"	168.5	87	150	120	Ø178	Ø166	142

dimensions are approximate and can be changed without prior notice