

BALL VALVES (TYPE BBS)

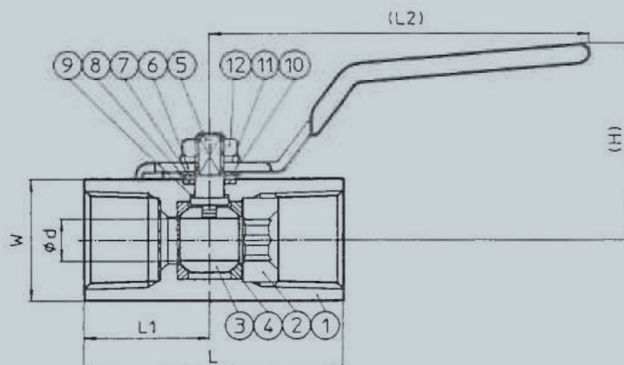
SPECIAL FEATURES:

BRASS SCREWED END TYPE

Hamai type BBS Ball valves are highly recommended for positive shut-off of water, oil and gas control.

Completely free from pin-hall and cracks.

Compact design, quarter-turn operation and economical.



MATERIALS:

Part No.	Description	Material
1.	Valve Body	Brass (C3771)
2.	End Cap	Brass (C3604)
3.	Ball	Brass Chrome Plating
4.	Seat	Teflon(PTFE)(1/4"~1")
5.	Stem	Reinforced Teflon.
6.	Handle	Brass (C3604)
7.	Gland Washer	Sus 430
8.	A Packing	Carbon Steel
9.	B Packing	Reinforced Teflon
10.	Conical Spring	Reinforced Teflon
11.	Spring Washer	Sus 304
12.	Nut	Carbon Steel
		SWCH

DIMENSIONS:

SIZE	d	L	L1	(L2)	(H)	W	(W1)
BBS 1/4	5	40	19	60	31	17	19.5
BBS 3/8	7.5	44.5	21.7	80	40	21	24
BBS 1/2	9	54.5	26.5	80	42	26	30
BBS 3/4	12.5	61	30	100	51	32	37
BBS 1	16	75	36.5	100	55	41	47
BBS 1-1/4	21	80	41	150	66	48	55
BBS 1-1/2	24	84	43	150	69	54	62
BBS 2	32	102	52	150	75	67	77



OPERATING CONDITION:

Max. operating Pressure: 20 kgf/cm² (300 psi)

Recommended for water, oil and gas.