

BIMETAL THERMOMETER

MODEL:2320

Dial size: 3",4",5"

Case: polished 304 stainless steel case and hermitically sealed crimped ring,

Window: glass

Temperature element:coiled bimetal sensing element for reliable readings re-set adjustment screws at back of case

Stem: fixed 1/2" NPT in 304 stainless steel,

Bulb: 304 stainless steel 1/4" diameter, length: 2.5",4". 6",9",12",15",18",24", including thread

Connection:

Adjustable angle,center back or lower connection at back of case

Scale:dual scale °F /°C single scale °F ,single scale °C

Dial plate: aluminum cupped shape,white background, black letters

Poineter: aluminum black pointer

Ambient temperature: -58+2480 °F(-50 °C +120 °C)

Maximum operation pressure: 125psi

Accuracy: 1.5% full scale

Special option:

1% accuracy for back and every angle connection

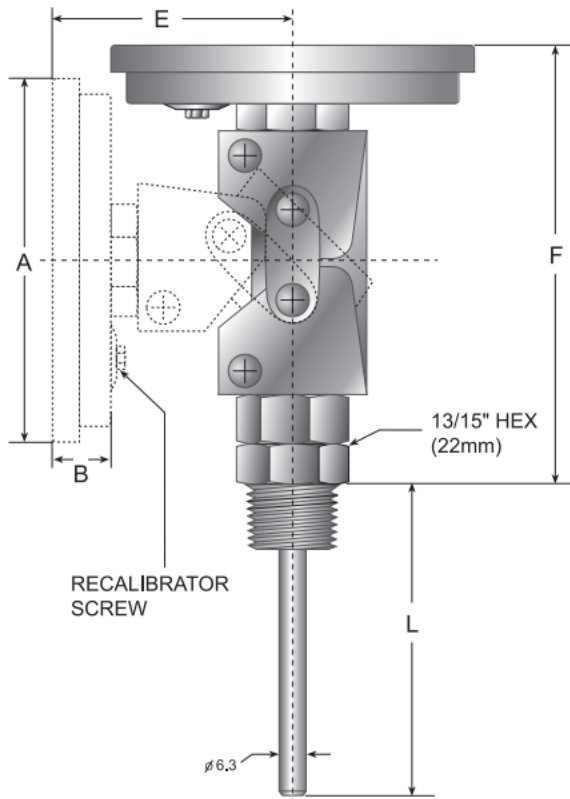
Glycerin filled,

Silicone oil filled,

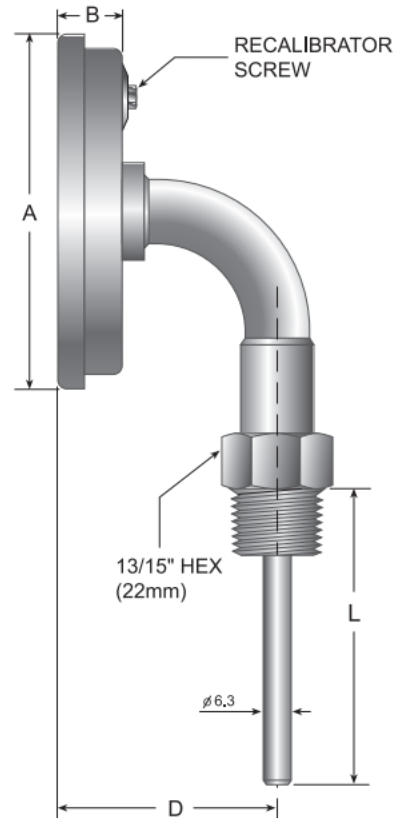
316stainless steel stemand bulb for option



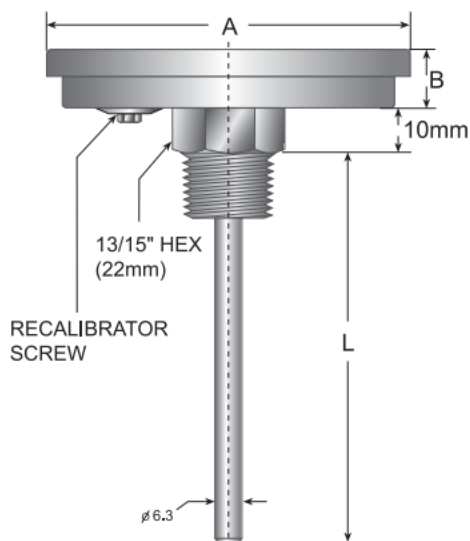
3"/4"/5" Adjustable Angle



3"/4"/5" Lower Mount



3"/4"/5" Back Connection



Unit:mm

DIAL	A	B	D	E	F
3"	ø80	14.5	51	56.5	102.5
4"	ø108.5	16.5	53	58.5	104.5
5"	ø128	18	54.5	60	106

Ordering Code

T - ■ - ■ - ■ - ■ - ■

Thermometer- Dial Size – Connection way – Stem length – Range – Special option
FOR EXAMPLE T3B4-50-550FC

Dial size:

3: 3" dial diameter

4: 4" dial diameter

5: 5" dial diameter

Connection way:

A: Adjustable angle mount

B: Center back mount

L: Lower mount

Stem length:

2.5: 2.5" length

4: 4" length

6: 6" length

9: 9" length

12: 12" length

15: 15" length

18: 18" length

24: 24" length

X: other length

Range: (if in single scale, ends with F or C only instead of FC)

25 to 125 FC: 0-140°F/-20-60°C

0 to 200 FC: -40-120°F/-40-50°C

0 to 250 FC: -40-160°F/-40-70°C

50 to 300 FC: 0-200°F/-20-90°C

50 to 400 FC: 0-250°F/20-120°C

50 to 500 FC: 50-300°F/10-150°C

200 to 1000 FC: 50-300°F/10-200°C

Special option

1A 1% accuracy

GF: glycerin filled,

SF: silicone oil filled,

316: 316 stainless steel stem and bulb for option