

*Y Strainers*



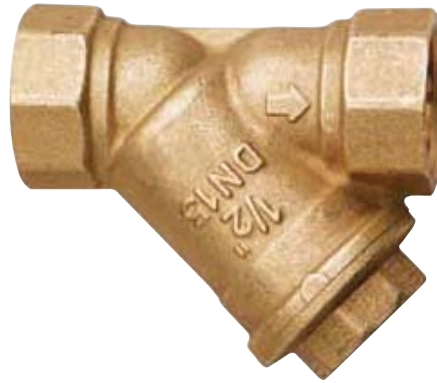
# Y Strainers

Y STRAINER

p. 268



Y STRAINER



Code	Packing	Dimension	Pmax
YS008	20/160	1/4" (DN 8)	20 bar
YS010	20/160	3/8" (DN 10)	20 bar
YS015	20/160	1/2" (DN 15)	20 bar
YS020	10/80	3/4" (DN 20)	20 bar
YS025	8/64	1" (DN 25)	20 bar
YS032	5/40	1"1/4 (DN 32)	20 bar
YS040	2/36	1"1/2 (DN 40)	20 bar
YS050	2/18	2" (DN 50)	20 bar
YS065	1/7	2"1/2 (DN 65)	16 bar
YS080	1/5	3" (DN 80)	16 bar
YS100	1/4	4" (DN 100)	16 bar

TECHNICAL FEATURES

**Model** Female/female threads and inspection plug.

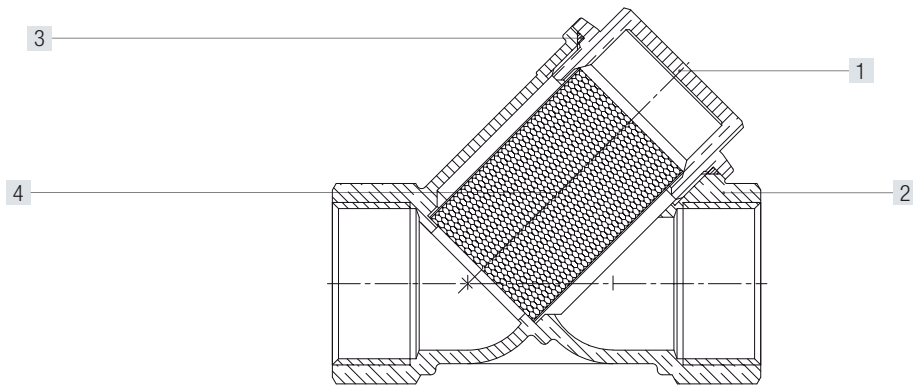
**Inlet - Outlet Connection** BSP ISO228

**Filter** 1/4" through 2" 500µm; 2"1/2, 3", 4" 800µm

**Working Temperature** -20°C, 110°C in absence of steam

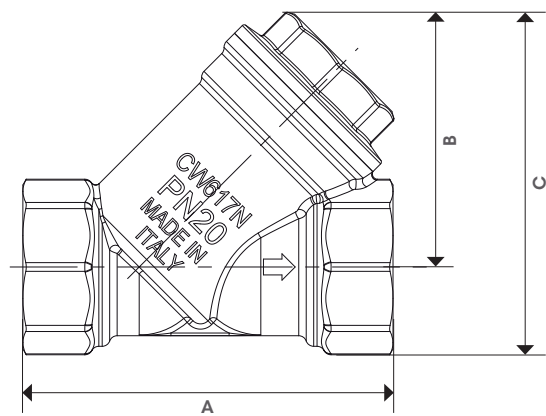
**Materials:**

**Complete Body** Body in brass.



- 1** End adapter
- 2** Body
- 3** O-Ring
- 4** Strainer

DIMENSIONS (mm)					
Dimension	DN	A	B	C	Kg/cm <sup>2</sup> bar
¼"	8	55	40	49,7	20
⅜"	10	55	40	51,2	20
½"	15	58	40	53,25	20
¾"	20	70	48	64,6	20
1"	25	87	56	76,35	20
1" ¼	32	96	64	87,7	20
1" ½	40	106	73	100	20
2"	50	126	88,5	122	20
2" ½	65	150	105	147,5	16
3"	80	169	120	168,5	16
4"	100	219	162	224,5	16



## NICKEL-PLATED Y STRAINER



Code	Packing	Dimension	Pmax
YS008 - NP	20/160	1/4" (DN 8)	20 bar
YS010 - NP	20/160	3/8" (DN 10)	20 bar
YS015 - NP	20/160	1/2" (DN 15)	20 bar
YS020 - NP	10/80	3/4" (DN 20)	20 bar
YS025 - NP	8/64	1" (DN 25)	20 bar
YS032 - NP	5/40	1"1/4 (DN 32)	20 bar
YS040 - NP	2/36	1"1/2 (DN 40)	20 bar
YS050 - NP	2/18	2" (DN 50)	20 bar

### TECHNICAL FEATURES

**Model** Female/female threads and inspection plug.

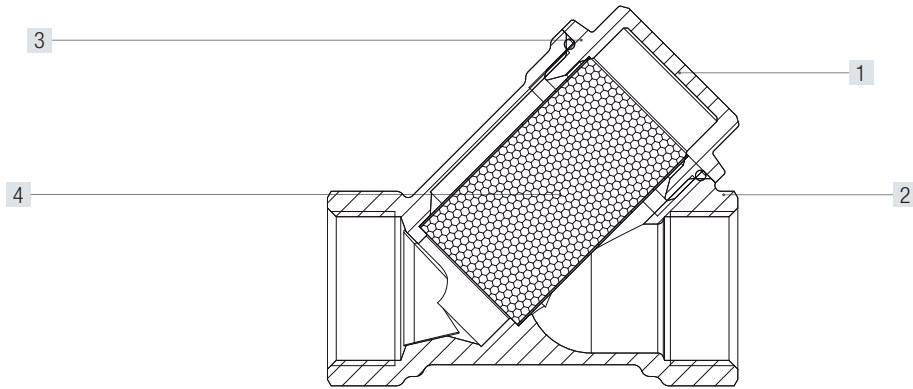
**Inlet - Outlet Connection** ISO228

**Filter** 50µm

**Working Temperature** -20°C, 110°C in absence of steam

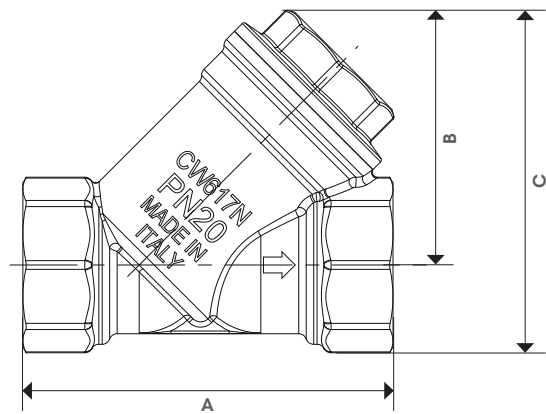
#### Materials:

**Complete Body** Body in nickel-plated brass.

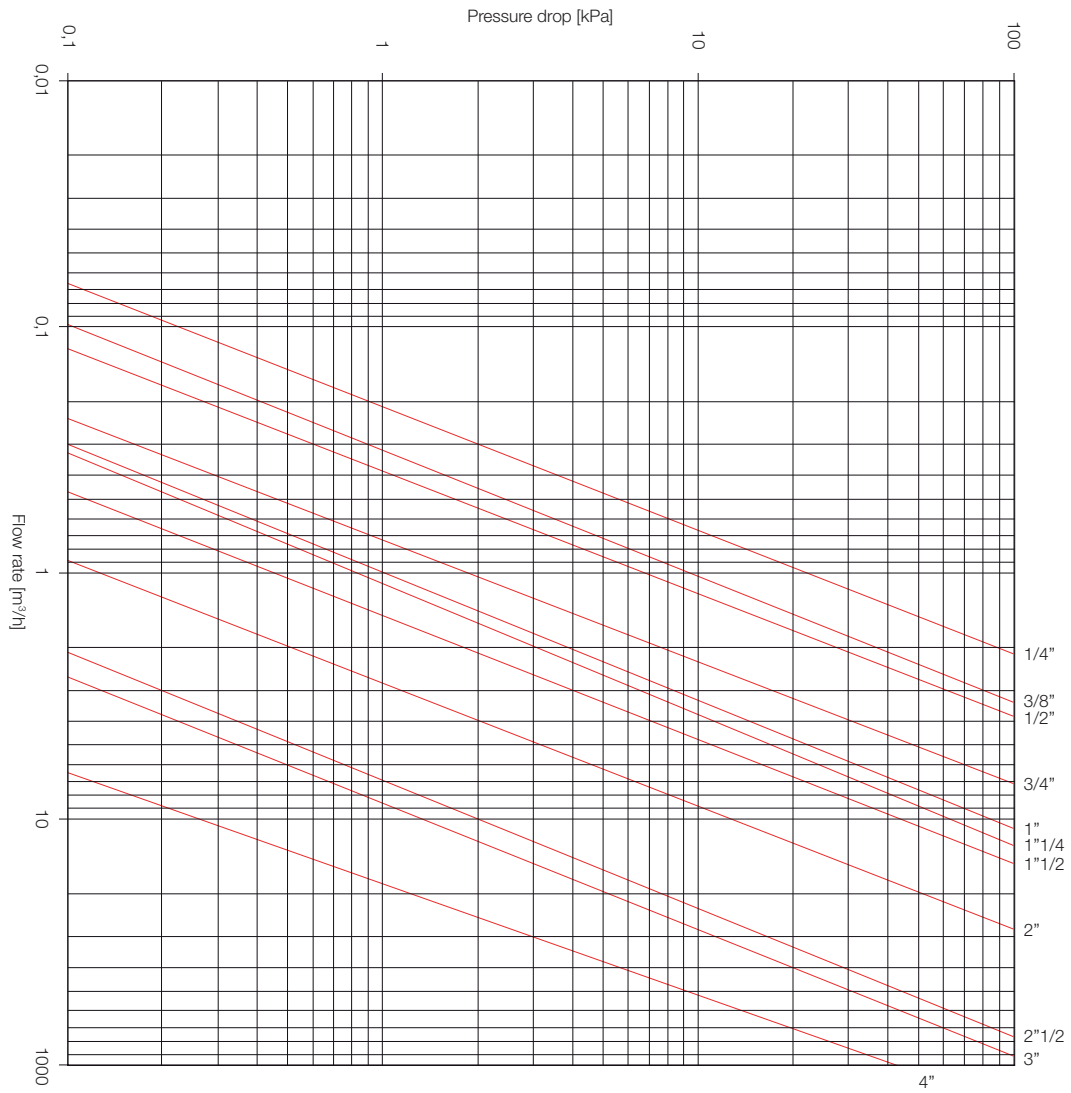


- 1** End adapter
- 2** Body
- 3** O-Ring
- 4** Strainer

DIMENSIONS (mm)					
Dimension	DN	A	B	C	Kg/cm <sup>2</sup> bar
¼"	8	55	40	49,7	20
⅜"	10	55	40	51,2	20
½"	15	58	40	53,25	20
¾"	20	70	48	64,6	20
1"	25	87	56	76,35	20
1" ¼	32	96	64	87,7	20
1" ½	40	106	73	100	20
2"	50	126	88,5	122	20



Y STRAINER



# PRESSURE TEMPERATURE DIAGRAM

