

solimar **LOW-PRESSURE REGULATOR**

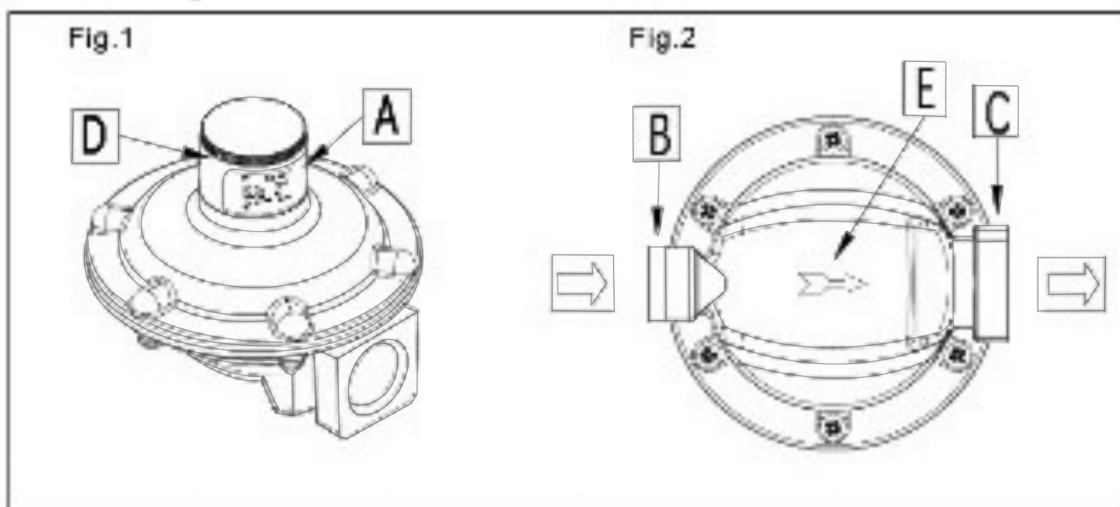
7015 LOW-PRESSURE LPG REGULATOR



APPLICATION

This pressure regulator is specifically designed for use in LPG installations, including butane, propane, and their combinations.

To ensure optimal performance throughout its operational life, it is imperative that the gas used is pure and free from aggressive substances. Key specifications, including the range of inlet pressure, outlet pressure, guaranteed flow rate, and reference gas, are clearly indicated on the product (refer to label A).



PRODUCT SPECIFICATION

Model	Inlet Connection	Outlet Connection	Inlet Pressure Setting	Outlet Pressure Setting	Capacity (Kg/h)
7015	1/4" NPT	1/4" NPT	0.5 - 4 bar	30 - 50 mbar	5