



STAINLESS STEEL BALL/ CARBON STEEL BALL VALVE

1-Piece Ball Valve

Reduce Port 2000 PSI

PRODUCT FEATURES

- One-Piece Ball Valve GROUNDING DEVICE
- Manufacture & Tested to MSS SP-110, API 598, ANSI B16.34
- Various Thread Types Available (NPT, DIN & ISO)
- For OIL, PETRO CHEMICAL Industrial and Chemical Applications.
- Oval handle as request
- Adjustable Stem Packing with Blow-Out Proof Stem

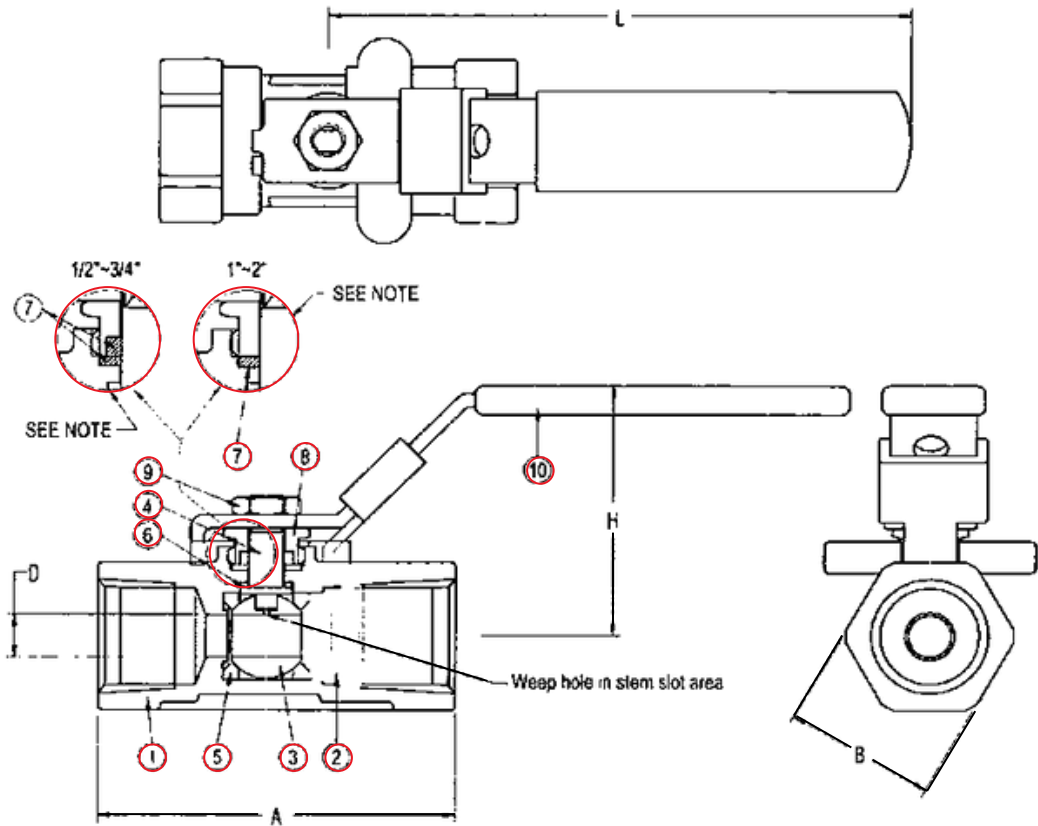
SPECIFICATION

- Investment Cast Body
- Pressure Rating: 2000 PSI WOG
- Size Available: 1/4" to 2"





STAINLESS STEEL BALL/ CARBON STEEL BALL VALVE



MATERIAL LIST

ITEM	Q'TY	PART NAME	B160F-1	B160F-3
1	1	BODY	A351-CF8M	A216-WCB
2	1	SPACER	A351-CF8M	A216-WCB
3	1	BALL	A276 316 SS/A351-CF8M	
4	1	STEM	A276 316 SS	
5	2	SEAT	TFM 1600	
6	1	STEM SEAL	PTFE	
7	2	STEM PACKING	GRAPHITE	
8	1	GLAND	A276 316 SS	
9	1	NUT	AISI 304 SS	
10	1	LOCK HANDLE	AISI 304 SS	

NPS DN	A	B	D	L	H
1/4"	2.28	1.10	0.31	4.29	1.97
8	58	28	8	109	50
3/8"	2.28	1.10	0.31	4.29	1.9
10	58	28	8	109	50
1/2"	2.60	1.10	0.31	4.29	1.97
15	66	28	8	109	50
3/4"	2.83	1.34	0.47	4.29	2.20
20	72	34	12	109	56
1"	3.23	1.61	0.62	5.75	2.56
25	82	41	15.80	146	65
1-1/4"	3.54	1.97	0.81	5.75	2.76
32	90	50	20.6	146	70
1-1/2"	3.86	2.24	1.00	7.40	3.29
40	98	57	25.4	188	83.6
2"	4.33	2.76	1.25	7.40	3.49
50	110	70	31.75	188	88.6