

# LWQ

# GAS TURBINE FLOW METER



T SERIES



E SERIES

(Complete with Electronic Volume Corrector)



T Series  
(SS304)



E Series  
(SS304)

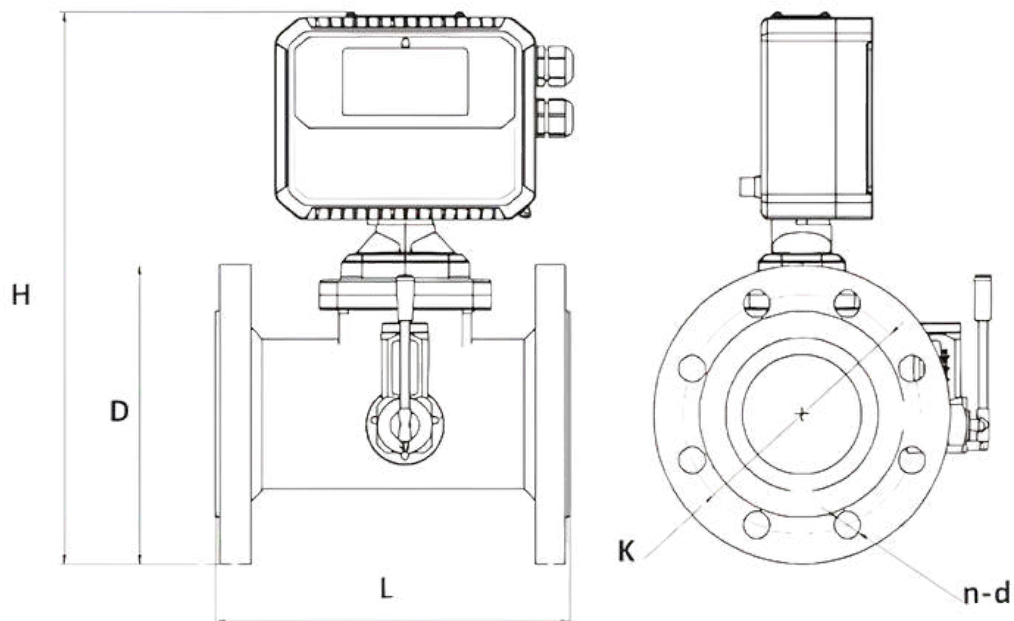
Technical Data

Diameter	DN25 - DN400
Ambient Temp.	-20°C~+60°
Accuracy	1.5% / 1% (Customize)
Operating Pressure	10 Bar
Power Supply	24 VDC / 3.6 VDC Battery / Dual Option
Power Consumption	<2.4W / <2mW
Protection	IP65
Explosion Proof	ExialICT4Ga / ExdIICT6Gb
Output	Pulse / 4-20mA / RS485
Rotor Material	Aluminum Alloy
Body Material	SS304 / SS316 (Customize)
Connection	Flanged End PN16 / ANSI 150 / JIS 10K (Customize)

Diameter (mm/inch)	Code	Flow Range (m3/h)	Max Pressure Loss (kPa)
DN25 (1")	S	4-40	1.5
DN40 (1.5")	S	6-65	1.5
DN50 (2")	S	7-70	0.5
DN50 (2")	S1	10-100	1.0
DN50 (2")	S2	16-160	1.0
DN65 (2.5")	S	13-250	1.0
DN80 (3")	S	13-250	1.0
DN80 (3")	S1	20-400	2.5
DN100 (4")	S	20-400	1.0
DN100 (4")	S1	32-650	1.5
DN150 (6")	S	32-650	1.3
DN150 (6")	S1	50-1000	1.0
DN150 (6")	S2	80-1600	2.0
DN200 (8")	S	80-1600	0.5
DN200 (8")	S1	130-2500	1.0
DN250 (10")	S	130-2500	0.5
DN250 (10")	S1	200-4000	1.5
DN300 (12")	S	200-4000	1.0
DN350 (14")	S	400-6000	1.5
DN400 (16")	S	650-6000	2.0

## Technical Drawings

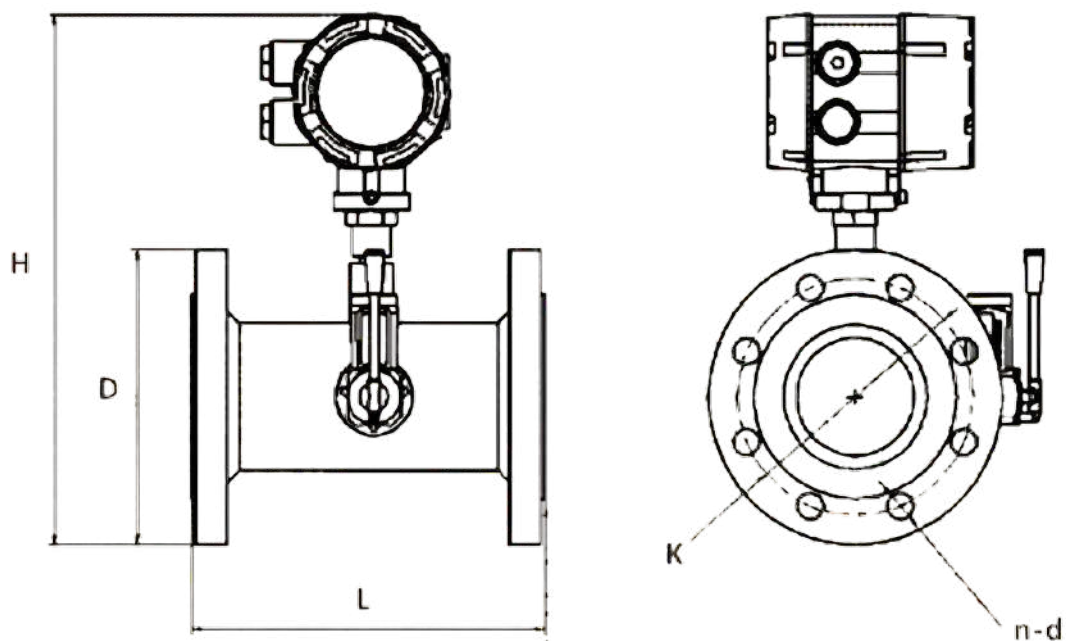
Diameter	Range	Standard Length (L)	D	K	H	d	n (Holes)	Weight (kg)
DN25	PN40 and below	200	115	85	310	14	4	8.2
DN40	PN40 and below	200	150	110	330	18	4	9.1
Dn50	PN40 and below	200	165	125	345	18	4	10.8
DN65	PN16	240	185	145	370	18	8	12.6
DN80	PN16	240	200	160	375	18	8	14.2
DN100	PN16	300	220	180	400	18	8	20.2
DN150	PN16	450	285	240	455	22	8	35
DN200	PN16	600	340	295	500	22	12	57.6
DN250	PN16	500	405	355	560	26	12	66.2
DN300	PN16	300	460	410	610	26	12	79.5
DN350	PN16	350	520	470	670	26	16	102
DN400	PN16	400	580	525	730	30	16	133.7



**T Series dimensions**

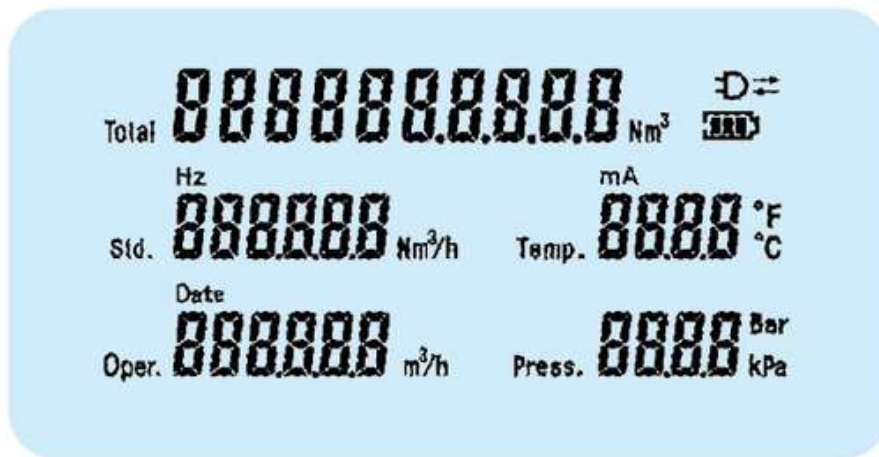
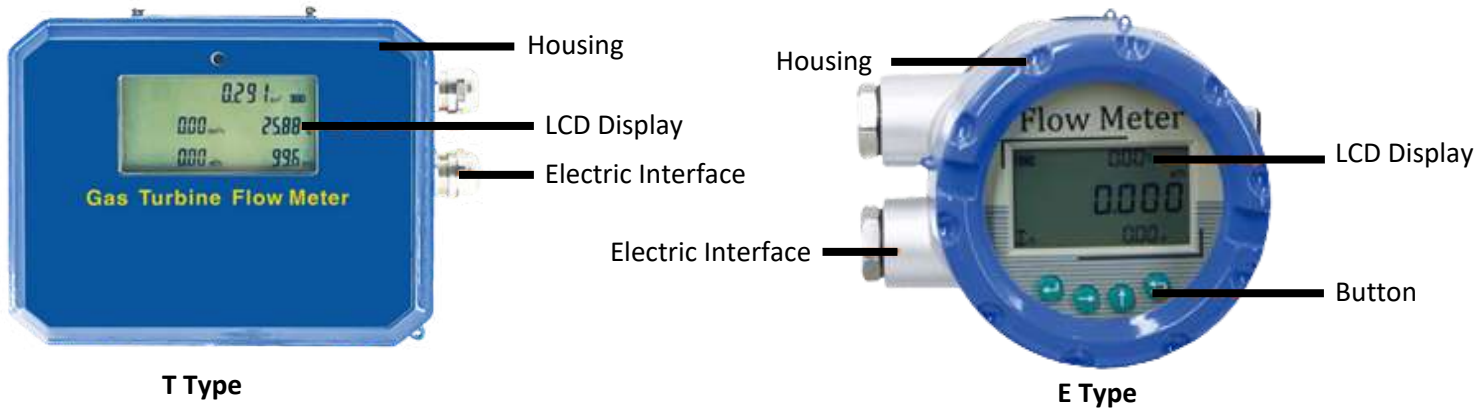
## Technical Drawings

Diameter	Range	Standard Length (L)	D	K	H	d	n (Holes)	Weight (kg)
DN25	PN40 and below	200	115	85	310	14	4	9.1
DN40	PN40 and below	200	150	110	335	18	4	10
DN50	PN40 and below	200	165	125	350	18	4	11.6
DN65	PN16	240	185	145	370	18	8	13.5
DN80	PN16	240	200	160	385	18	8	15.1
DN100	PN16	300	220	180	400	18	8	21
DN150	PN16	450	285	240	460	22	8	35.8
DN200	PN16	600	340	295	510	22	12	58.4
DN250	PN16	500	405	355	570	26	12	67
DN300	PN16	300	460	410	620	26	12	80.3
DN350	PN16	350	520	470	680	26	16	102.8
DN400	PN16	400	580	525	740	30	16	134.5



**E Series dimensions**

## Display



Symbol	Description
	Power Display
	Displayed when connected to 24V external power supply or loop power supply
	1. RS485 communication symbol, ← for sending display, → for receiving display 2. Enter the correct password and prompt the logo

Button Symbol	Symbol Description
SET	Page down button, parameter modification confirmation storage button
RIGHT	Shift button
UP	Number increase button in parameter setting modification state; page button in non-modification state menu
ESC	Exit button (parameter setting modification state exit modification button; parameter unmodified state one button exit, return to the main display screen)